



COOLTOUCHHEATERS

INFRARED HEATING PANELS



Operating and Installation Instructions

(Installation Instructions only for Cooltouch framed panels)

Cooltouch Heaters Ltd
Unit 15
Pytchely Lodge Road
Kettering
Northamptonshire
NN15 6JQ

www.CooltouchHeaters.co.uk

service@CooltouchHeaters.co.uk

Tel: 01536 601001

Thank you for your purchase

Dear Customer,

You have bought a high-tech innovative heating product. Cooltouch Heating Panels work with Infrared technology. They have low energy consumption and create a pleasant atmosphere in each room where they are installed. With the correct installation and operation, you're Heating Panel will give you satisfaction for many years to come.

Please read completely the 'Operating and Installation Instructions' before you start to install the panel and pay particular attention to the safety instructions. These 'Operating and Installation Instructions' will help you safely install and use the panel in the most efficient way.

Please make sure that you use the heater exactly as per the following instructions, the adherence to these instructions is a pre-condition to the manufactures liability regarding any guarantee cases.

After completion please store these instructions in a safe place so that they can be used again if necessary and also can be given to another user if the panel changes hands.

Contents

Basic Rules for Safety	3
Use	3
Danger for Children and Persons with disabilities	3
Electrical Safety	3
Product Safety notes	4
Supply, and Parts Included	5
Installation	6
Recommended control circuit	7
Operation	8
General Instructions	8
Connection of Electrical Power	8
Tips for correct use	8
Cleaning	9
Disposal	9
Guarantee and Service	9
Data Page of Cooltouch Heating Panels	10

Basic Rules for Safety

USE

The Cooltouch Heating Panels are designed only for use as heaters and are suitable for installation in pew spaces where children or other people are liable to come into contact with the heater surface.

To use these heaters correctly it is necessary to follow the guidelines and instructions laid down in this document.

DO NOT use the heaters in rooms that are open to the elements and/or rooms which could be subjected to the ingress of running water.

Danger for Children and Persons with disabilities

- These products are not to be installed by people (including children) who are physically or mentally handicapped, unless a competent person who can provide help and instruction is present.
- Be sure that children do not play with or use the heaters as a toy.
- Make sure that the packing material is kept away from babies and small children as suffocation can result if placed over their mouths or noses.

Electrical Safety

- Connect and run the heater according to the advice given on the specification plate on the rear of the heater.

Only connect the heater to a 230 / 240 V AC supply grid.

- Check each heater for damage before installation. Make sure that the heater itself; its plug and cable are free of any visible signs of damage.

- ATTENTION: The Heating Panels should **not** be used, if the Glass or Ceramic backing is damaged. If damage is noticed, immediately disconnect the Panel from the Power supply and contact Cooltouch Heaters Ltd at the address shown on the front page of this document.

- Do not pull, clamp or in any other way damage the connecting cable attached to the Panel.

- If the attached connecting cable does appear to be damaged please refer to the manufacturer or his service department or a similarly qualified person to undertake any repair work.

- Do **not** attempt to carry out any repairs, changes or modifications to the Heating Panel.

- Before any assembly or cleaning work is carried out, disconnect the Panel from the electrical power.

- Do **not** immerse the Heating Panel in water or splash water onto it!

- The panels should not be installed in a situation where water can come into contact with the appliance other than minor splashing.

Product Safety Notes

- ATTENTION: To insure that the Heating Panel does not overheat, it should not be covered in any way. (The polyester fabric covering the heater is approved for intermittent use in churches or similar environments)

- ATTENTION. Kneelers should not be stored or hung in contact with, or in front of, a heater surface.

If heaters are to be used for general heating other than as pew heaters the following applies.

- The Panel should not be installed directly under a plug socket.
- Do **not** rest anything against, or use the Heating panel to dry clothes and/or stick anything onto its surface.
- Make sure that all local objects in the immediate vicinity of the heater are a minimum of 50 cm away from the front and sides of the panel and 10 cm away when objects are above.
- Make sure when installing the Panel that the minimum distance of 2 cm between the Wall or Ceiling and the Panel is adhered too. This distance insures that enough space is available for air circulation.

Supply, and Parts Included

After being thoroughly tested at our works the heating panels are safely packed and despatched with a reputable transport company. When your product arrives please check the outside appearance of the packing for any signs of damage. If you believe that the package is damaged in any way please ask the delivery person to wait while you unpack it and check the state of the goods within for damage.

If possible keep the panels and accessories in the original packing until you decide to install the product.

After unpacking the goods please check and make sure that all of the following listed parts are included and are not damaged.

- 1 x Heating Panel with Cable

- 4 x Bolts M6 x 8

- 4 x Mounting brackets to suit the installation.

- 1 x Operating and Installation Handbook

If you discover that any parts are missing or are damaged please contact the company where you purchased the product or contact our Service department.

The packing material is recyclable. Please make sure that this is disposed of correctly.

ATTENTION - Make sure that the packing material is kept away from babies and small children as suffocation can result if placed over their mouths or noses.

Installation

ATTENTION

Please read the section regarding 'Basic Rules for Safety' and details involving the Installation location; the information regarding safe distances and the Operation of the Panel.

Please take note of the following additional information with regards to installation.

- The hot side of the heater is always the side with the sticker that says infraNOMIC Infrarot-Heizelement Nicht abdecken! (infraNOMIC infrared heater Do not Cover) This sticker should always be visible through the fabric after installation.
- Check before drilling holes that there are no electrical lines or water pipes hidden in the wall.
- Make sure that the power supply socket that you intend to use is within distance of the location of where you intend to install the Panel – The cable attached to the panel is 1.7 m long.



Mounting brackets are secured to the heater using the 8 captive nuts in the back of the aluminium frame as required.



Adjustable brackets enable heaters to be fitted between the pew seat and the floor.

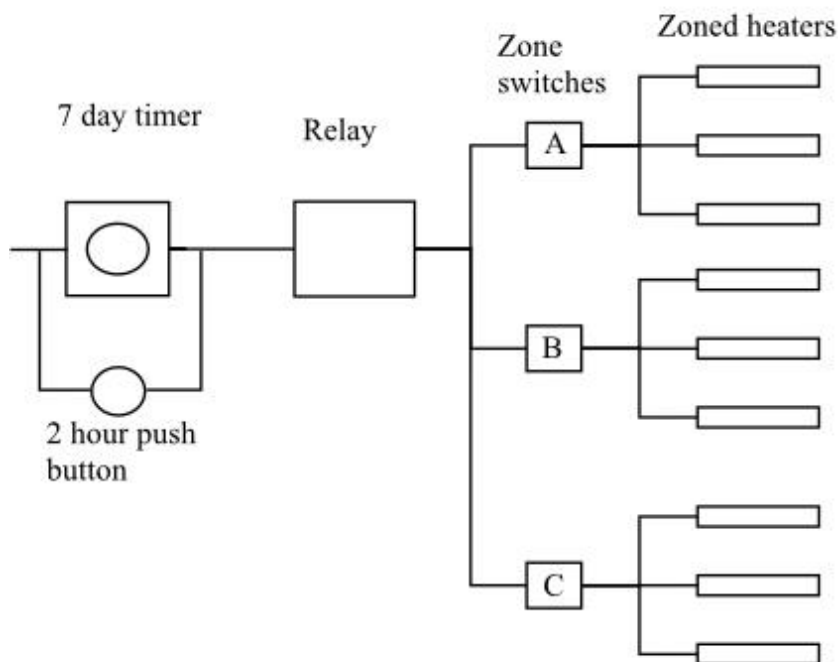


Brackets are available for mounting a heater against a solid surface such as the back of a pew.



Return brackets enable heaters to be fitted between the pew seat and the floor when access to the back of the heater is limited.

Recommended control circuit for church pew heating



The above arrangement provides for the heat to be available in one or more of the zoned areas on a regular basis each week. i.e. Timer set to come on 30 minutes before a Sunday service and go off 30 minutes after the usual end time for that service.

The 2 hour push button provides override facility for heating occasional services such as funerals or weddings.

This ensures that the heating is not left on for more than 2 hours, saving electricity cost and ensuring that heaters are not left on for longer than the recommended 2 hour running period.

The installation of the heaters and controls should be carried out by a qualified engineer in accordance with current safety standards.

Operation

General Instructions

The Heating Panels incorporate a built-in 'Safety Cut Out Switch' so that when overheated by abnormal use, for e.g. by covering the heater, the Heating Panel will automatically switch itself off. Through removing the power to the heater and allowing a period of approx. 10 to 15 minutes to elapse the safety cut out switch will automatically reset itself. After rectifying the problem that has caused the overheating, and by connecting the power the Heater is again ready for normal operation.

Connection to the Power Supply

Every Cooltouch Heating Panel is supplied with a cable and plug. Connect the panel via its plug to a normal household socket carrying a 230 / 240 V ~ 50 Hz alternating current.

The Panel can also be used in conjunction with a room temperature regulator (thermostat) that can be separately purchased as a 'Plug-In' device, to fit between the socket and the Panel's plug; or alternatively a room thermostat can be directly fitted to the house circuit, through which the power to the heater is fed and controlled.

Similarly the Panel can be used in conjunction with a timer which would control the ON or OFF times of the heater.

ATTENTION!

It is important that the above-mentioned controllers, thermostat or timers if used are suitable and can accommodate the power consumption of the Heater. The power consumption of your heater is included in the information on the nameplate of the heater (to be found on the back of the panel).

Tips for correct use

When the Heater is turned on at first, it is possible that for a short while you may be aware of a distinct sweet smell. This is not harmful to health and if present is caused by the vaporisation of silicon in contact with the MDF backing board. This will cease after a short while.

It is recommended that the heaters are switched on for 15 minutes before the congregation arrive for a service so that the heaters can reach working temperature. The heaters are intended for providing warmth to people sitting in a pew space and will **not** provide space heating for the whole church.

The function of radiated heat helps, through its very low power consumption, to protect our world and its resources.

Cleaning

ATTENTION – DANGER OF ELECTRIC SHOCK!

Before attempting to clean the Panel, switch off the heater and allow it to completely cool down.

Do **not** immerse the Heating Panel in water or splash water onto it!

Lightly brush or vacuum dust from the fabric.

Fabric damage

Should the fabric covering become torn, Cooltouch Heaters Ltd will replace the fabric for a small charge. Cost will depend on transport of heater to and from our workshop.

Disposal

The Heating Panels or parts of them should not be disposed of as household rubbish but should be returned to the manufacturer for correct disposal (see Service address)

Through re-cycling of materials or of old machines you are providing help which is important to protect our world from unwanted rubbish.

The units comply with the test requirements of the European Low Voltage specifications 2006/95/EG and the harmonised Product Standards EN 60335-1 and EN 60335-2-30 and are marked with a CE Conformity Label.

Guarantee and Service

The Heating Panels are guaranteed for 5 years after the purchase date. If these Operating and Installation Instructions are followed and are correctly adhered too, we guarantee the free-of-charge replacement of the Heating Panel if the problem occurring is directly related to a manufacturing or material fault.

If however the problem has been caused by incorrect installation or operation, the free-of-charge guarantee becomes null and void.

Your personal rights regarding this guarantee are not diminished.

Service Address: on front of this booklet.

Data Page of Cooltouch Heating Panels

The operating voltage for all Heating Panels is 240 V ~, 50 Hz.

Glass panel size	Overall size with frame	Wattage	Approx. Weight
600mm x 400mm	605mm x 405mm	210	4 kg
900mm x 350mm	905mm x 355mm	250	5 kg
1200mm x 350mm	1205mm x 355mm	320	6.5kg
900mm x 600mm	905mm x 605mm	500	8 kg